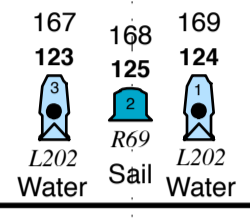
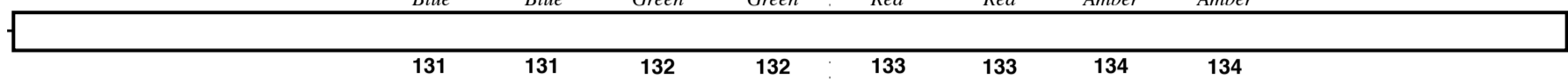


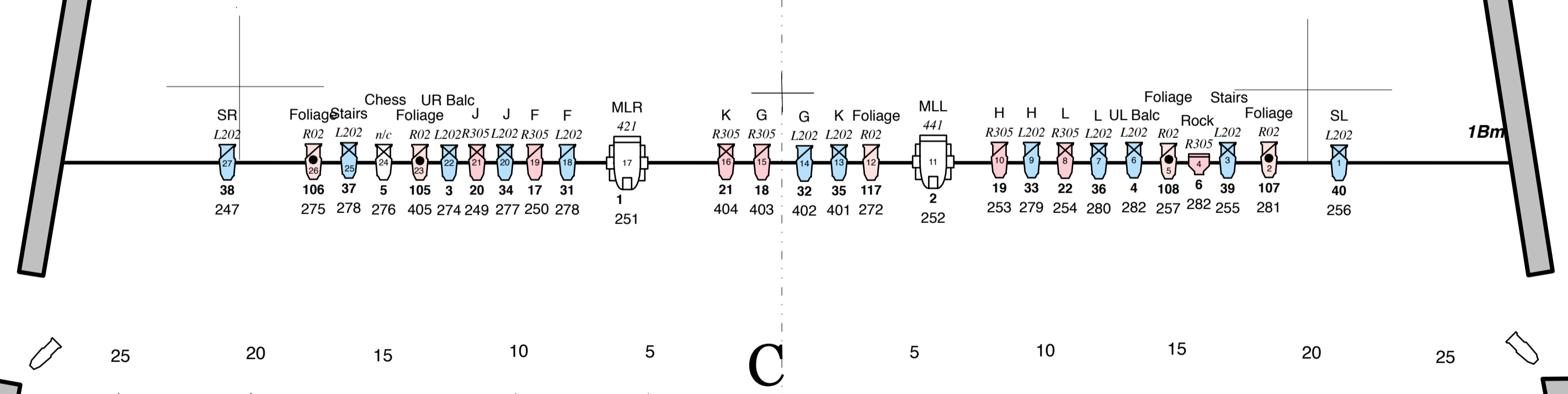
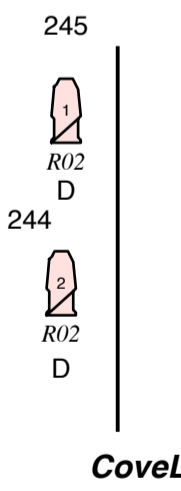
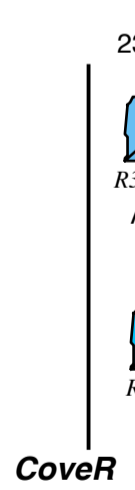
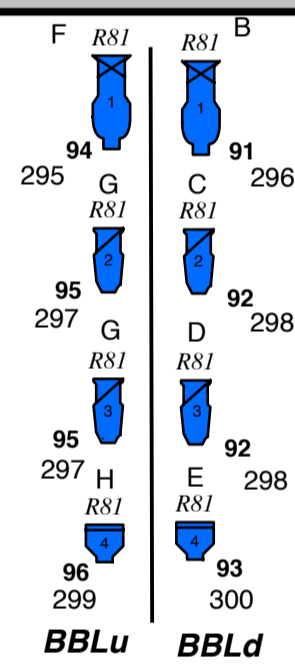
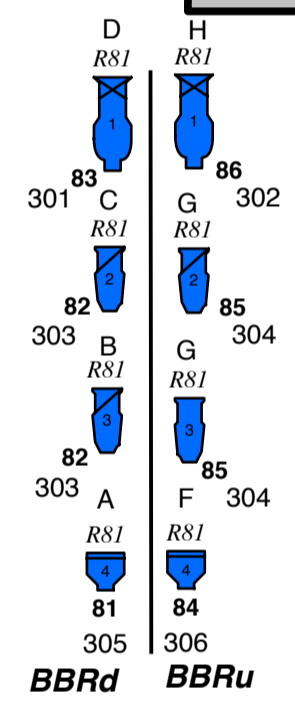
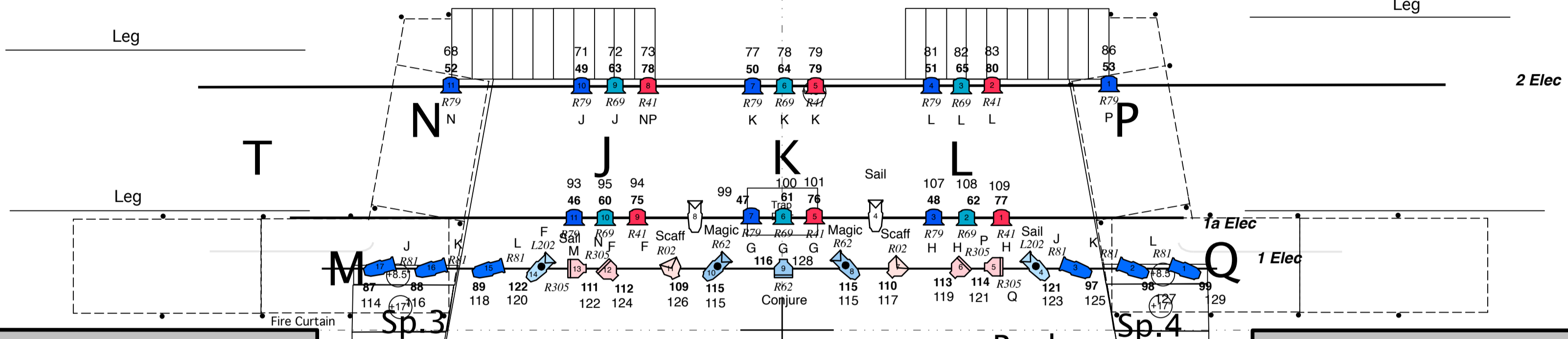
- 28
- 27
- 26 #5 Elec
- 25
- 24
- 23
- 22
- 21
- 20
- 19
- 18 #3 Elec
- 17
- 16
- 15
- 14
- 13
- 12 #2 Elec
- 10
- 9
- 8
- 7
- 6
- #1A Elec
- 4 Torm
- #1 Elec
- 2

131 - Blue 5, 8, 12, 16, 21, 25, 29
 132 - Green 4, 9, 13, 17, 22, 26, 30
 133 - Red 3, 6, 11, 15, 20, 24, 28
 134 - Amber 2, 7, 10, 14, 19, 23, 27

Cyc Blue Cyc Blue Cyc Green Cyc Green Cyc Red Cyc Red Cyc Amber Cyc Amber



3 Elec



COLOR KEY
 R79 - Bright Blue
 R69 - Brilliant Blue
 R41 - Salmon
 R81 - Urban Blue
 R305 - Rose Gold
 L202 - 1/2 CT Blue

Key	
	36° Source Four
	Wide
	6° Fres
	Revolution
	26° Source Four
	MFL
	1k Scoop
	Special
	19° Source Four
	Panel
	Mini-Softlite
	Medium
	6x16
	par56mfl

The Tempest		Light Plot
Venue: Fredric March Theatre		
Designer: Mick Alderson		
Scale: 1/4"=1'-0" 4/20/2018		